



**HAL**  
open science

## Experience induces functional reorganization in brain regions involved in odor imagery in perfumers.

Jane Plailly, Chantal Delon-Martin, Jean-Pierre Royet

### ► To cite this version:

Jane Plailly, Chantal Delon-Martin, Jean-Pierre Royet. Experience induces functional reorganization in brain regions involved in odor imagery in perfumers.: Functional plasticity in perfumers. *Human Brain Mapping*, 2012, 33 (1), pp.224-34. 10.1002/hbm.21207 . inserm-00659392

**HAL Id: inserm-00659392**

**<https://www.hal.inserm.fr/inserm-00659392>**

Submitted on 12 Jan 2012

**HAL** is a multi-disciplinary open access archive for the deposit and dissemination of scientific research documents, whether they are published or not. The documents may come from teaching and research institutions in France or abroad, or from public or private research centers.

L'archive ouverte pluridisciplinaire **HAL**, est destinée au dépôt et à la diffusion de documents scientifiques de niveau recherche, publiés ou non, émanant des établissements d'enseignement et de recherche français ou étrangers, des laboratoires publics ou privés.

# **Experience induces functional reorganization in brain regions involved in odor imagery in perfumers**

**Jane Plailly<sup>1\*</sup>, Chantal Delon-Martin<sup>2,3</sup> & Jean-Pierre Royet<sup>1</sup>**

## **Author addresses**

<sup>1</sup>Neurosciences Sensorielles, Comportement, Cognition, UMR 5020 CNRS – Université Claude Bernard Lyon 1, IFR 19, Institut Fédératif des Neurosciences de Lyon, Lyon F-69366, France

<sup>2</sup>INSERM, U836, Equipe Neuroimagerie fonctionnelle et métabolique, BP 170, Grenoble Cedex 9, F-38042, France

<sup>3</sup>Université Joseph Fourier, Institut des Neurosciences, BP 170, Grenoble Cedex 9, F-38042, France

## **Corresponding author**

Jane Plailly

Neurosciences Sensorielles, Comportement, Cognition  
UMR 5020 CNRS – Université Claude Bernard Lyon 1  
50 avenue Tony Garnier, 69366 Lyon cedex 07, France  
Phone: +33 (0)4 37 28 74 95  
Fax: +33 (0)4 37 28 76 01  
Email: [plailly@olfac.univ-lyon1.fr](mailto:plailly@olfac.univ-lyon1.fr)

## **Short Title**

Functional plasticity in perfumers

**Number of figures / tables: 5 / 1**

## **Abstract**

Areas of expertise that cultivate specific sensory domains reveal the brain's ability to adapt to environmental change. Perfumers are a small population who claim to have a unique ability to generate olfactory mental images. To evaluate the impact of this expertise on the brain regions involved in odor processing, we measured brain activity in novice and experienced (student and professional) perfumers while they smelled or imagined odors. We demonstrate that olfactory imagery activates the primary olfactory (piriform) cortex (PC) in all perfumers, demonstrating that similar neural substrates were activated in odor perception and imagination. In professional perfumers, extensive olfactory practice influences the posterior PC, the orbitofrontal cortex and the hippocampus; during the creation of mental images of odors, the activity in these areas was negatively correlated with experience. Thus, the perfumers' expertise is associated with a functional reorganization of key olfactory and memory brain regions, explaining their extraordinary ability to imagine odors and create fragrances.

## **Keywords**

Expertise, Functional plasticity, Olfaction, fMRI, Perfumers

## Introduction

The brain adapts to new abilities obtained through extensive practice. In experts with enhanced visual, auditory or motor skills, such as musicians and athletes, superior performance is associated with functional brain changes in modality-specific brain regions (Cross, et al. 2006; Kleber, et al. 2009; Lotze and Halsband 2006; Lotze, et al. 2003; Margulis, et al. 2009; Milton, et al. 2007; Ohnishi, et al. 2001; Ross, et al. 2003). We thus questioned whether the effects observed in other modalities could be generalized to olfaction. This topic has not been previously addressed, probably because olfactory abilities are less developed in humans than other animals. Accordingly, olfactory experts are rare; in fact, there are only about 500 perfumers (known informally as ‘noses’) worldwide. Nevertheless, a recent study investigated the effect of sommelier expertise on brain activity related to wine tasting and showed that brain activation in olfactory/gustatory areas was substantially different in experts relative to naïve drinkers (Castriota-Scanderbeg, et al. 2005).

Several behavioral and functional studies have suggested that we can “imagine” smells by reactivating percept-like memory representations (Bensafi, et al. 2007; Carrasco and Ridout 1993; Djordjevic, et al. 2005; Lyman and McDaniel 1990). For instance, the detection of perithreshold odors was improved after imagining a matched rather than a mismatched odor (Djordjevic, et al. 2005). However, for the average person it is much easier to imagine visual images than olfactory ones. In contrast, perfumers have learned to form olfactory sensory representations through daily practice and extensive training. Furthermore, they claim to have the ability to produce perceptual images of smells in the total absence of odorants. Forming mental images of odors is thus a crucial component of the perfumer’s expertise.

In this study, we use functional magnetic resonance imaging (fMRI) to determine the impact of expertise on the neural substrates of odor-relevant mental imagery in olfaction experts. We scan both perfumers renowned for creating perfumes and students from an international school of perfumery while they either perceive odors or imagine them from their chemical labels. At the perfumery school, the student perfumers learn to recognize the smells of about 300 chemical molecules over the course of 2 years. The professional perfumers typically improve their

knowledge of these molecules during subsequent vocational courses or business experience. We took advantage of this variability in expertise among professional perfumers to identify the functional brain areas associated with their experience. Indeed, recent findings have suggested that the extent of functional reorganization is proportional to the length of training—even when this training lasts for a short period of time (Ilg, et al. 2008). Because naïve (untrained) subjects are largely unfamiliar with the chemical labels of odorants used in the current study (e.g., dihydromyrcenol, triplal, benzyl acetate, and alpha-damascone), we did not include naïve subjects in our study. We hypothesize that, during the imagination of odors, the perfumer's expertise would be associated with a modification of the activation patterns in olfactory and memory-processing regions such as the piriform cortex (PC) and the hippocampus. Such a modification of activation in experts would be the result of a cortical reorganization due to experience, which is the sign of a functional plasticity (Jancke 2009) in the olfactory brain.

## **Materials and Methods**

### *Subjects*

Twenty-eight healthy, right-handed subjects participated in our study, including 14 student perfumers (11 female; mean age, 23 years; range, 21–26 years) from an international school of perfumery (Institut Supérieur International de la Parfumerie, de la Cosmétique et de l'Aromatique, Versailles, France) and 14 professional perfumers famous for creating perfumes (4 females; mean age = 42 years; range = 29–59 years). While the student experts had, at most, been trained for 2 years as part of their education, the professional experts all had 5-35 years of career-relevant business experience. The functional data from three students were discarded because of technical problems with the MRI scanner. The exclusion criteria were rhinal disorders (colds, active allergies, a history of nasal-sinus surgery, or asthma), pregnancy, ferrous implants (e.g., pacemakers, cochlear implants), claustrophobia, or any neurological disease. Handedness was assessed by the Edinburgh Handedness Inventory (Oldfield 1971). This study was conducted according to French regulations on biomedical experiments using healthy volunteers and according to the principles outlined in the Declaration of Helsinki. All subjects gave written informed consent as required by the local

Institutional Review Board.

### ***Experimental Design***

The subjects were scanned during four functional runs. For two runs, the subjects were asked to passively smell odors (“Perception”); for the other two, the subjects had to actively imagine odors based on the visual presentation of the odor’s chemical name (“Imagery”). The order of task presentation was counterbalanced among subjects.

The perception runs followed a mixed-block/event-related design. Each run consisted of twenty 12-s blocks of odor perception alternated with 12-s blocks without stimuli (Fig. 1). During those runs, 20 odors were presented, one every sniff. Because the mean duration of a breathing cycle ranged from 3 to 5 s depending on the subject, and because we waited for the beginning of the inspiration before administering odors (see Vigouroux, et al. 2005 for details), the number of odor stimulations varied between 2 and 4 during each odor perception block. The odors were presented in a loop following a pre-determined order. The imagery runs consisted of forty 15-s blocks that included 12 s of mental imagery (a 4-s presentation of the odor name followed by an 8-s presentation of black fixation cross-hairs), 2 s of response during which the subjects used a key pressed to indicate whether they could imagine the odor (the word ‘response’ was presented on the screen), and a 1 s delay before the next block (Fig. 1). During each imagery run, each of the 20 odor names were presented twice. The same 40 names were presented in a different order during the second imagery run. During both the perception and imagery runs, the subjects were instructed to breathe naturally and regularly without sniffing or holding their breath.

Before scanning, the subjects participated in a training session. In order to familiarize the subjects with the experimental conditions, they were trained to create olfactory images while lying on the fMRI bed. During this session, the 20 odor names used in the imagery runs were presented visually, and the subjects pressed a button when they began perceiving the odor image. This session allowed us to measure the latency of image creation.

### ***Stimuli and Experimental Setup***

Twenty odor stimuli provided by Créations Aromatiques (Haarman & Reimer, Grasse, France)

were employed during scanning. These odorants were aldehyde C-11, alpha-damascone, benzyl acetate, beta-ionone, citronellol, dihydromyrcenol, eucalyptol, eugenol, lavandin (essential oil: EO), lemon (EO), linalyl acetate, linanol, methyl anthranilate, orange (EO), phenylethyl alcohol, sandalwood (EO), spearmint, tangerine (EO), triplal, and vanillin. These are the 20 most common odors among the 300 learned by student perfumers. The odorants were diluted in mineral oil (Sigma Aldrich, Saint-Quentin-Fallavier, France) to a concentration of 10%. For stimuli presentation, 5 ml of this solution was absorbed into compressed polypropylene filaments that were inside a 100 ml white polyethylene squeeze-bottle equipped with a dropper (Fisher Scientific, Illkirch, France).

During perception, the odorants were presented using an airflow olfactometer, which allows the stimulation to be synchronized with breathing (Vigouroux, et al. 2005). The stimulation equipment consisted of two modules: the non-ferrous (Duralumin®) air-dilution injection head (placed in the magnet room) and the electronic component of the olfactometer (positioned outside the magnet room). Compressed air (10 L/min) was pumped into the olfactometer and delivered continuously through a standard oxygen mask (positioned on the subject's face). At the beginning of an inspiration phase, an odorant was injected into the olfactometer by rapidly squeezing the odor bottle into the injection head, thereby transmitting the odorant to the mask. Information regarding the onset of stimulation was transmitted by optical fibers to analog-to-digital converters located outside the magnetically shielded room and powered by nickel-cadmium batteries. During imaging, the chemical names of these odors were displayed on a screen that could be viewed in a mirror secured directly in the subject's line of sight. The presentation timing was monitored using commercially available Psyscope® software on a Mac OS computer and was synchronized with the scanner.

Breathing was recorded using polyvinyl-chloride foot bellows (Herga Electric Limited, Suffolk, UK) that were secured to the subject's abdomen with a cotton belt. Breathing data, stimulation onset, and trigger signals from the MRI scanner were recorded online (100 Hz sampling rate) on a personal computer equipped with a DAQCard-500 digital acquisition board (National Instruments®, Austin, TX, USA) using the LabVIEW software package (National Instruments®). Data were further analyzed using WinDag Waveform Browser 2.36 software (DataQ Instruments®, Akron, OH, USA) and custom-developed routines that were created using Matlab (The Mathworks,

Natick, MA, USA).

The amplitudes of the inspiratory and expiratory waveforms were estimated by integrating the curves from one side of baseline to the other. The mean inspiratory volumes were computed for each 12-s odor stimulation block and mental-imagery block, and these data were entered into a three-way (Group x Task x Stimuli) analysis of variance (ANOVA) with repeated measurements on the last two factors using Statistica 6.0 (StatSoft®, Tulsa, OK, USA).

### ***Functional and Structural Data Acquisition***

We acquired T2\*-weighted functional images sensitive to blood oxygen level-dependent contrast using a Philips NT 1.5 Tesla MRI scanner (Philips Medical Systems, Best, Netherlands) with a birdcage head coil. The imaging volume was composed of 25 adjacent, 5-mm-thick axial slices based on scout images acquired in the sagittal plane. This imaging volume covered the entire brain and was in an axial orientation parallel to the bicommissural plane. To acquire functional images, we used a 3-dimensional, four-shot PRESTO MRI sequence (Liu, et al. 1993) with the following parameters: repetition time (TR) = 26 ms, echo time (TE) = 12 ms, flip angle = 14°, field-of-view = 256 x 205 mm<sup>2</sup>, and imaging matrix = 64 x 51 (voxel size: 4 x 4 x 5 mm<sup>3</sup>). This sequence is less prone to magnetic susceptibility artifacts than the usual single-shot, gradient-echo planar imaging sequence (van Gelderen, et al. 1995) and thus prevents most of the signal loss—especially in the orbitofrontal cortex and the mesial temporal region. The acquisition time per volume was 2.5 s. We collected a total of 384 volumes for the perception condition and 528 volumes for the imagery condition over the 4 runs. Finally, a high-resolution (1 mm<sup>3</sup>) structural image was acquired using a 3-dimensional, T1-weighted gradient echo sequence (repetition time = 23.7 ms, echo time = 6.9 ms, flip angle = 28°, number of accumulations [NA] = 2).

### ***Functional Data Analysis***

We processed all functional images using Statistical Parametric Mapping software (Friston, et al. 1995) (SPM2, Wellcome Department of Cognitive Neurology, London, UK). For each subject, all functional volumes were realigned to the median volume, coregistered to the anatomical image, spatially normalized to the Montreal Neurological Institute (MNI) standard brain, and smoothed



with an 8 x 8 x 10 mm full-width, half-maximum Gaussian kernel. Preprocessed data were statistically analyzed on a subject-by-subject basis using the General Linear Model, which convolves a neural model derived from the stimuli onsets with a hemodynamic response function (hrf). A high-pass filter (with a cut-off frequency of 1/128 Hz) was used to eliminate instrumental and physiological signal fluctuations at very low frequencies.

Because the hrf varies depending on the subject and the area of interest (Handwerker, et al. 2004), we attempted to better estimate this function by using both the canonical hrf and its time derivative (Hopfinger, et al. 2000). We used the amplitude of the hrf in the group random-effect analysis, which removes potential bias in the results caused by latency (Calhoun, et al. 2004). For the statistical analysis of images acquired during the perception condition, stimulus-onset asynchronies were determined relative to the maximum amplitude of the inspiratory phases that followed odor stimulation. For the statistical analysis of images acquired during the imagery condition, stimulus onset asynchronies were fixed 2 s after the beginning of name presentation. We retained only those odor names that resulted in mental imagery. The homogeneity of the individual data inferred from both canonical and time-derivative models were confirmed with the Cook test using the 'DISTANCE' software package (<http://www.madic.org>).

Random-effect analyses were performed to identify patterns of brain activation at the population level. We first led one-way ANOVAs to explore the activation pattern associated with the tasks or groups and, second, performed regression analyses to identify the brain region in which the level of activation varied with the level of expertise. Both analyses were performed first on the whole brain and then on specific regions of interest.

First of all, activations common to both the imagery and perception condition and found in both professional and student perfumers were determined in a conjunction of the [Imagery] and [Perception] simple contrasts for each group. A second analysis was performed to separately investigate areas that were differentially activated under the imagery and perception conditions in the [Imagery *minus* Perception] contrast in student and professional perfumers. A third analysis was then performed in the [(Imagery Student *minus* Perception Student) *minus* (Imagery Professional *minus* Perception Professional)] double contrast to display differences between the two groups. For

those analyses, the level of significance was set at  $P < 0.001$ , uncorrected at the cluster level for multiple comparisons across the much larger volume of the whole brain (i.e., whole-brain correction: WBC). The activation cluster size ( $k$ ) is also reported. The anatomic atlases created by Mai et al. and Duvernoy (Duvernoy 1999; Mai, et al. 2008) were used to localize and describe activated regions. Voxels were reported in terms of the MNI coordinate space. Following neurological convention, the right side of an image corresponds to the right side of the brain.

Specific analyses were performed on brain regions known to play a role in olfactory and memory processing. Anatomical Volumes-Of-Interest (VOIs) in the anterior PC (aPC), posterior PC (pPC), the amygdala, the orbitofrontal cortex and the hippocampus were defined in both hemispheres using MRIcro (<http://www.mricro.com>) and human brain atlases (Duvernoy 1999; Mai, et al. 2008). These regions were drawn for each subject in both hemispheres from coronal slices for the PC (from 12.5 mm anterior to  $-2.7$  mm posterior to the anterior commissure), the amygdala (from 0 mm anterior to  $-13.3$  mm posterior to the anterior commissure), and from sagittal slices for the hippocampus (from  $-24.5$  mm to  $-38$  mm on the left hemisphere and from 24 mm to 38 mm on the right hemisphere). For the PC, the beginning of the amygdala was used as anatomical landmark to determine the utmost caudal part of the pPC located 4 mm before. For the amygdala and the hippocampus, delineations were based on the visual differentiation of structures (T1 images) and on the detailed diagrams and pictures from the Mai *et al.* and Duvernoy's atlases. Orbitofrontal VOIs were spheres of 10-mm radius located at coordinates previously identified by Gottfried and Zald (2005) in the left and right hemispheres ( $-22, 30, -17$  and  $24, 33, -12$ ). The activation levels were extracted in the VOIs using the MarsBar toolbox (<http://marsbar.sourceforge.net>). For activation arising from these VOIs, we tested differences in activation levels as a function of Task (imagery vs. perception), Group (student vs. professional), and Hemisphere (right vs. left) using a within-subject, repeated measures ANOVA (Statistica 6.0, StatSoft®, Tulsa, OK, USA).

In order to investigate whether the level of expertise affected the level of activation in neural networks involved in olfactory and memory processing, two multiple-regression analyses (Imagery, Perception) with constant term were performed on professional perfumers. The subject's age served as a covariate reflecting expertise (from 5 to 35 years of career-relevant business experience), while

the gender effect was covaried out (entered as variable of no-interest). These regression analyses were only performed on professional perfumers because the range of expertise in students was too small to be considered a covariate. The level of significance was set at  $P < 0.001$ , uncorrected at the cluster level for multiple comparisons. In regions with strong, *a priori* significance, the level of significance was set at  $P < 0.05$ , corrected at the voxel level for multiple comparisons. Spheres of 10-mm diameter were then used to define small volumes of interest (small-volume correction: SVC) (Worsley, et al. 1996) based on coordinates from previous human-imaging studies on olfactory and memory processing (Gottfried, et al. 2004; Gottfried and Zald 2005; Plailly, et al. 2005; Royet, et al. 2003; Zald and Pardo 1997).

Regression analyses were also performed to detect relationships between the level of experience and the level of activation in the VOIs. For each VOI and each subject, mean activation from all voxels was extracted using Marsbar. Within both groups of subjects, the gender effect was suppressed by normalizing data ( $X = X_o - \bar{X}$  where  $\bar{X}$  was the mean value as a function of gender). Linear regression analyses were then performed using Statistica 6.0 (StatSoft®, Tulsa, OK, USA).

### ***Statistical Analysis***

Results are expressed as means  $\pm$  s.e.m. for subjects or conditions. Where not otherwise indicated in the text, statistical significance was determined using a two-tailed Student's *t*-test (when comparing two conditions) or ANOVA with repeated measurements when comparing more than two conditions. The normality of the samples and the homogeneity of their variance were controlled using the Lilliefors and Hartley tests. In all statistical tests, a value of  $P < 0.05$  (corrected for multiple comparisons) was considered significant.

## **Results**

### ***Ability of perfumers to imagine odors***

Based on the subjects' self-reported ability to imagine odors throughout the experiment, the professional perfumers scored an average of 92.9% (range 80–100) and student perfumers scored an average of 92.0% (range 70–100). We did not take psychophysical measurements (such as image richness or vividness, or latency to image creation or its duration) during the imagery period, which

would have allowed investigation of the difference in quality of the images between groups, because the subjects claimed that providing responses disturbed their mental imagery. During the training period, however, the subjects were asked to imagine each of the 20 odors sequentially and press a button when they began to ‘smell’ each odor mentally. The professionals created odor images more successfully than the students ( $0.99 \pm 0.01$  and  $0.89 \pm 0.02$ , respectively;  $t_{(38)} = 4.09$ ,  $P < 0.001$ ) and faster than the students ( $4.32 \text{ s} \pm 0.10$  and  $6.15 \text{ s} \pm 0.20$ , respectively;  $t_{(38)} = 8.26$ ,  $P < 0.001$ ). These results confirm that the professionals had a superior ability to generate odor-relevant mental imagery when compared to student perfumers.

### ***Common neural network for imagery and perception of odors***

The conjunction analysis revealed a common pattern of activation between both student and professional perfumers and between both imagery and perception conditions. This pattern included a bilateral activation of the PC that reached the anterior part of the amygdala (WBC; Fig. 2a; Table 1), a finding in accordance with previous imaging studies (Gottfried, et al. 2002; Royet and Plailly 2004; Savic, et al. 2000; Sobel, et al. 2000; Zatorre, et al. 1992). This result showed that mental imagery can induce the activation of the primary olfactory brain region. Clusters of activated voxels were also observed in the superior frontopolar gyrus, the precuneus, the cerebellum, and the inferior portion of the middle occipital gyrus (WBC; Table 1).

### ***Imagery-specific neural network***

To determine which brain regions were involved in odor imagery in each group, we subtracted the images acquired during the perception condition from those acquired during the imagery condition. The results showed that the left parahippocampal gyrus (WBC;  $k = 6$ ,  $T = 4.31$ ) was significantly more activated during the imagery condition in the professionals (Fig. 3a), whereas the right anterior insula (WBC;  $k = 14$ ,  $T = 4.11$ ) was more strongly activated during the imagery condition in the students (Fig. 3b). In order to test whether the level of expertise affected the pattern of activation generated by creating odor images, we compared imagery-specific brain activation between professional and student perfumers. The right anterior insula was the only imagery-specific region to survive the statistical test and was more activated in students than in perfumers (WBC;  $k =$

14,  $T = 4.40$ ).

### ***Differential involvement of subregions in the piriform cortex***

Following the regional analysis of mental imagery, we used VOI analyses to focus on the role of the PC. The PC VOI was separated into anterior (aPC) and posterior (pPC) parts (Fig. 2b) based on the anatomical and functional heterogeneity of this structure, which has been established in both animals and humans (Gottfried, et al. 2002; Gottfried, et al. 2006; Litaudon, et al. 1997; Mouly and Di Scala 2006). We measured the activation levels in these anatomical VOIs under each condition and tested for the effects of task, group, area and hemisphere. The results showed that, overall, the pPC was more activated than the aPC ( $F_{(1,23)} = 9.80$ ,  $P = 0.005$ ) and the left PC was more activated than the right PC ( $F_{(1,23)} = 6.74$ ,  $P = 0.016$ ). The significant group x area interaction ( $F_{(1,23)} = 5.62$ ,  $P = 0.027$ ) was caused by the higher activation of the pPC in students ( $P = 0.001$ ) relative to professional perfumers, regardless of the task and the hemisphere (Fig. 2c). These results suggest that the two groups used different strategies to process odors. The significant task x area interaction (Fig. 2d;  $F_{(1,23)} = 5.54$ ,  $P = 0.028$ ) revealed that the aPC plays a crucial role in the generation of odor mental images; regardless of the perfumer's level of expertise or the brain hemisphere, the aPC was more activated when odors were imagined than when the same odors were actually perceived ( $P = 0.002$ ; the activation recorded during perception was used as a reference). The importance of the PC in processing mental images of odors was reinforced by the absence of any effect of Task, Group and Hemisphere on the activation levels in the amygdala, orbitofrontal cortex or hippocampus (VOIs).

### ***Effect of expertise on activation pattern***

Because brain activity in musicians or athletes is related to prolonged, intensive practice (Cross, et al. 2006; Lotze and Halsband 2006; Lotze, et al. 2003; Milton, et al. 2007), we subsequently examined whether the functional activity in perfumers during perception and imagery depends on the duration of practice (and therefore the level of expertise). Interestingly, the multiple regression analysis only produced significant results for Imagery. No significant result was observed for the passive odor perception condition. In the imagery condition, an increased level of expertise was

associated with the decreased activation of regions typically associated with olfactory and memory functions: the right pPC, the left orbitofrontal cortex and the left hippocampus (SVC; Table 2; Fig. 4). In other words, the greater the level of expertise, the less these three key brain regions were activated. Additionally, this analysis showed activity in a small group of regions that included the bilateral cerebellum, the left inferior temporal gyrus, the left postcentral gyrus and the right middle frontal gyrus (WBC; Table 2). No regions that are involved in odor imagery showed a significant activation increase with increasing expertise.

The analysis of pre-defined VOIs (aPC, pPC, amygdala, orbitofrontal cortex, hippocampus) confirmed the results of the random-effect analysis. Significant negative correlations were observed between the level of expertise of the professional perfumers and the level of activation during odor imagery in the right pPC ( $r = -0.717$ ,  $F = 12.698$ ,  $P = 0.004$ ). Strong, but not significant, negative correlations were found in the left ( $r = -0.532$ ,  $F = 4.730$ ,  $P = 0.050$ ) and right ( $r = -0.521$ ,  $F = 4.471$ ,  $P = 0.056$ ) aPC (**Fig. 5a**). During imagery, significant negative correlations were also found in the right ( $r = -0.540$ ,  $F = 4.930$ ,  $P = 0.046$ ) and left ( $r = -0.582$ ,  $F = 6.142$ ,  $P = 0.029$ ) hippocampus (**Fig. 5b**). No significant correlations were observed for perception.

### ***Control of breathing activity***

Throughout this experiment, the subjects were asked to breathe in a natural way during all tasks in order to minimize bias caused by sniffing-related brain activation. However, because sniffing fluctuations can result in a confounding activation of the PC (Sobel, et al. 1998), nasal airflows were systematically controlled throughout the experiment. No differences in breathing activity were observed between the groups ( $F_{(1,23)} = 0.051$ ,  $P = 0.824$ ) or between the tasks ( $F_{(1,23)} = 0.415$ ,  $P = 0.526$ ), and there was no interaction between these two factors ( $F_{(1,23)} = 1.439$ ,  $P = 0.243$ ). Thus, the activation evoked during odor imagery cannot be explained by variations in nasal airflow.

### **Discussion**

To our knowledge, our study is the first to investigate the neural basis of olfactory perception and mental imagery in perfumers. The ability to create olfactory mental images is rare, and studying olfactory experts is the best way to accurately identify the mental processes underlying the creation

of these images. By analyzing functional data in relation to the subjects' expertise, we were able to investigate functional reorganization resulting from prolonged, intensive practice.

Our results demonstrate the robust activation of a large neural network, including the olfactory primary cortex, when perfumers mentally imagine odors in the total absence of odorants. The PC is believed to be unimodal, meaning that it does not receive direct verbal, visual or semantic inputs. Its activation in the present study unambiguously proves that olfactory mental imagery can reactivate memory traces within the PC via a top-down process. This finding is consistent with the general view that similar neural networks are activated during both mental imagery and the actual perception of sensory stimuli, a phenomenon that is well-documented in vision, audition and motor processes (Kosslyn, et al. 2001). Our study demonstrates that these neurological similarities between perception and imagery also apply to olfaction. The use of perfumers, who are renowned for their expertise in olfaction and their ability to mentally imagine odors, was fundamental in supporting this theory.

The anterior and posterior areas of the PC were differentially involved in olfactory mental imagery and odor perception, further indicating the heterogeneous nature of the PC (Gottfried, et al. 2002; Gottfried, et al. 2006; Litaudon, et al. 1997; Mouly and Di Scala 2006). Whereas the pPC was activated during both tasks identically, the aPC was activated more strongly during imagery than during perception. The aPC is reportedly involved in the synthetic encoding of odorant identity in animals (Kadohisa and Wilson 2006) and in processing structure-based information in humans (Gottfried, et al. 2006). In contrast, the pPC is believed to process information regarding odor quality (Gottfried, et al. 2006; Kadohisa and Wilson 2006). These data suggest that, rather than the quality of the odorant, experts use highly specific information (such as the chemical identity) in order to accurately reactivate odor-related memory traces in response to the chemical label of the odorant.

Although both students and professionals were able to imagine odors, our data show marked differences between these groups. The professionals succeeded more frequently and responded more rapidly than students in mentally imagining odors, and these behavioral differences were associated with functional differences. The pPC was more strongly activated than the aPC in

students, but not in professionals, suggesting that the students focused more on odor quality (Gottfried, et al. 2006; Howard, et al. 2009; Kadohisa and Wilson 2006) than the professionals when perceiving or imagining an odor. It has been previously demonstrated that the parahippocampal gyrus is involved in memory recall and mental imagery (Kreiman, et al. 2000), and this region was significantly more activated in professionals than in students. In contrast, the right anterior insula, a region involved in multisensory integration (Dade, et al. 2001; Slotnick and Schacter 2004), was significantly more activated in students than in professionals. Our findings thus demonstrate that training can alter the neural processes that are activated when imagining an odor. Whereas the creation of an odor mental image was a more automatic mnemonic process in professional perfumers, this process needed to be supported by previously encoded associations in student perfumers.

More strikingly, by comparing the functional data obtained during odor imagery with the level of experience in professional perfumers, we revealed the functional reorganization of several brain regions. When imagining an odor, the experienced perfumers exhibited lower levels of activity in key regions involved in olfactory and memory processing: the primary olfactory cortex (bilateral aPC and right pPC), the left and right hippocampus and the left olfactory orbitofrontal cortex. For the pPC and the hippocampus, these effects were observed using both whole-brain and VOI analyses. A decrease in the activation of these structures cannot be attributed to age because these variations in activity were not observed during odor perception or in other brain regions. Because these functional differences were observed in subjects who differed in age and experience by several decades, they further support the view that the mental imaging of odors develops from daily practice and is not an innate skill.

How brain activity relates to practice and learning is complex and multifactorial. A few studies have indicated that experience increases activity in specific brain regions (Cross, et al. 2006; Kleber, et al. 2009; Lotze, et al. 2003; Ohnishi, et al. 2001); however, decreases in activity have also been reported in the primary and secondary motor areas of professional pianists and golfers (Haslinger, et al. 2004; Jancke, et al. 2000; Koeneke, et al. 2004; Krings, et al. 2000; Lotze, et al. 2003; Ross, et al. 2003). These decreases in activity have been associated with performance gains. It



has been claimed that professional piano players control their movements with more automation, better manual dexterity, and less motor cortical activation. Researchers have suggested that this mechanism may result in enhanced efficiency, reduced effort, increased spontaneity, and/or the liberation of additional resources for other aspects of artistic and motor performance (Jancke, et al. 2001; Krings, et al. 2000; Lotze, et al. 2003). Here, professional perfumers were able to quickly—and even instantaneously—imagine most odors, while students had difficulty with this task and could only imagine odors by deliberately focusing their attention. By easily reactivating memory representations of pure or complex odors, professional perfumers can compare and mix different scents in order to create new fragrances.

To our knowledge, functional plasticity within the PC resulting from long-term training has not been observed in humans. However, the rapid reorganization of human PC activation patterns has been observed following enhanced discrimination and aversive conditioning (Li, et al. 2008). In rats, olfactory learning is accompanied by an increase in dendritic spine density in the primary olfactory cortex, suggesting an increase in the number of excitatory synapses (Knafo, et al. 2001). Our data thus confirm the involvement of the PC in memory processes. In professional subjects, we also observed a negative correlation between functional activity in the hippocampus and the level of expertise. This is consistent with the theory that repeated information-recall reduces the involvement of the hippocampus. A recent study has suggested that remembering previously heard data can activate the hippocampus and that this activation decreases as the stimulus is repeated (Svoboda and Levine 2009).

## **Conclusion**

In summary, we observed that the perfumers' level of expertise influences functional brain plasticity in regions involved in odor-relevant mental imagery. We showed that the PC is activated in response to olfactory imagery in student and professional perfumers, but that this activity is proportionally reduced as the duration of experience increases in professional perfumers. Our results suggest that experts progressively develop more efficient strategies in their field of expertise, allowing them to liberate additional resources for other aspects of artistic performance such as the

creation of new fragrances. Taken together, these findings demonstrate the extraordinary ability of the brain to adapt to environmental demands and reorganize with experience.

## **Funding**

This work was supported by a grant to J.P.R. from the Roudnitska Foundation and by the Centre National de la Recherche Scientifique (CNRS).

## **Notes**

We thank perfumers J.C. Ellena and D. André for their helpful advice regarding our experimental design, M. Hugentobler for assistance with student recruitment, and S. Garcia for his assistance with our breathing data analysis. We are greatly indebted to students from the Institut Supérieur International de la Parfumerie, de la Cosmétique et de l'Aromatique, and to professionals from France and Switzerland (Azur Fragrances, Créations Aromatiques, Givaudan, Haarman & Reimer, IFF, Luzi SA, Parfum Concept, Quest, Takasago).

## References

- Bensafi M, Sobel N, Khan RM. (2007): Hedonic-specific activity in piriform cortex during odor imagery mimics that during odor perception. *J Neurophysiol* 98:3254-3262.
- Calhoun VD, Stevens MC, Pearlson GD, Kiehl KA. (2004): fMRI analysis with the general linear model: removal of latency-induced amplitude bias by incorporation of hemodynamic derivative terms. *Neuroimage* 22(1):252-257.
- Carrasco M, Ridout JB. (1993): Olfactory perception and olfactory imagery: a multidimensional analysis. *J Exp Psychol Hum Percept Perform* 19(2):287-301.
- Castriota-Scanderbeg A, Hagberg GE, Cerasa A, Committeri G, Galati G, Patria F, Pitzalis S, Caltagirone C, Frackowiak R. (2005): The appreciation of wine by sommeliers: a functional magnetic resonance study of sensory integration. *Neuroimage* 25(2):570-8.
- Cross ES, Hamilton AF, Grafton ST. (2006): Building a motor simulation de novo: observation of dance by dancers. *Neuroimage* 31(3):1257-1267.
- Dade LA, Zatorre RJ, Evans AC, Jones-Gotman M. (2001): Working memory in another dimension: functional imaging of human olfactory working memory. *Neuroimage* 14(3):650-660.
- Djordjevic J, Zatorre RJ, Petrides M, Boyle JA, Jones-Gotman M. (2005): Functional neuroimaging of odor imagery. *Neuroimage* 24(3):791-801.
- Duvernoy HM. 1999. *The Human Brain-Surface, Three Dimensional Sectional Anatomy and MRI*. Wien (Austria): Springer.
- Friston KJ, Holmes AP, Worsley KJ, Poline JB, Frith C, Frackowiak RS. (1995): Statistical

Parametric Maps in Functional Imaging: A General Linear Approach. *Hum Brain Mapp* 2:189-210.

Gottfried JA, Deichmann R, Winston JS, Dolan RJ. (2002): Functional heterogeneity in human olfactory cortex: an event-related functional magnetic resonance imaging study. *J Neurosci* 22(24):10819-10828.

Gottfried JA, Smith AP, Rugg MD, Dolan RJ. (2004): Remembrance of odors past: human olfactory cortex in cross-modal recognition memory. *Neuron* 42(4):687-95.

Gottfried JA, Winston JS, Dolan RJ. (2006): Dissociable codes of odor quality and odorant structure in human piriform cortex. *Neuron* 49(3):467-479.

Gottfried JA, Zald DH. (2005): On the scent of human olfactory orbitofrontal cortex: meta-analysis and comparison to non-human primates. *Brain Res Brain Res Rev* 50(2):287-304.

Handwerker DA, Ollinger JM, D'Esposito M. (2004): Variation of BOLD hemodynamic responses across subjects and brain regions and their effects on statistical analyses. *Neuroimage* 21(4):1639-1651.

Haslinger B, Erhard P, Altenmüller E, Hennenlotter A, Schwaiger M, Graf von Einsiedel H, Rummeny E, Conrad B, Ceballos-Baumann AO. (2004): Reduced recruitment of motor association areas during bimanual coordination in concert pianists. *Hum Brain Mapp* 22(3):206-15.

Hopfinger JB, Buchel C, Holmes AP, Friston KJ. (2000): A study of analysis parameters that influence the sensitivity of event-related fMRI analyses. *Neuroimage* 11(4):326-333.

Howard JD, Plailly J, Grueschow M, Haynes JD, Gottfried JA. (2009): Odor quality coding and categorization in human posterior piriform cortex. *Nat Neurosci* 12(7):932-8.

- Ilg R, Wohlschläger AM, Gaser C, Liebau Y, Dauner R, Woller A, Zimmer C, Zihl J, Muhlau M. (2008): Gray matter increase induced by practice correlates with task-specific activation: a combined functional and morphometric magnetic resonance imaging study. *J Neurosci* 28 (16):4210-5.
- Jancke L. (2009): The plastic human brain. *Restor Neurol Neurosci* 27(5):521-38.
- Jancke L, Gaab N, Wustenberg T, Scheich H, Heinze HJ. (2001): Short-term functional plasticity in the human auditory cortex: an fMRI study. *Brain Res Cogn Brain Res* 12(3):479-485.
- Jancke L, Shah NJ, Peters M. (2000): Cortical activations in primary and secondary motor areas for complex bimanual movements in professional pianists. *Brain Res Cogn Brain Res* 10(1-2): 177-83.
- Kadohisa M, Wilson DA. (2006): Separate encoding of identity and similarity of complex familiar odors in piriform cortex. *Proc Natl Acad Sci U S A* 103(41):15206-11.
- Kleber B, Veit R, Birbaumer N, Gruzelier J, Lotze M. (2009): The Brain of Opera Singers: Experience-Dependent Changes in Functional Activation. *Cereb Cortex*.
- Knafo S, Grossman Y, Barkai E, Benshalom G. (2001): Olfactory learning is associated with increased spine density along apical dendrites of pyramidal neurons in the rat piriform cortex. *Eur J Neurosci* 13(3):633-8.
- Koeneke S, Lutz K, Wustenberg T, Jancke L. (2004): Long-term training affects cerebellar processing in skilled keyboard players. *Neuroreport* 15(8):1279-82.
- Kosslyn SM, Ganis G, Thompson WL. (2001): Neural foundations of imagery. *Nat Rev Neurosci* 2 (9):635-42.
- Kreiman G, Koch C, Fried I. (2000): Imagery neurons in the human brain. *Nature* 408(6810):357-

- Krings T, Topper R, Foltys H, Erberich S, Sparing R, Willmes K, Thron A. (2000): Cortical activation patterns during complex motor tasks in piano players and control subjects. A functional magnetic resonance imaging study. *Neurosci Lett* 278(3):189-193.
- Li W, Howard JD, Parrish TB, Gottfried JA. (2008): Aversive learning enhances perceptual and cortical discrimination of indiscriminable odor cues. *Science* 319(5871):1842-5.
- Litaudon P, Datiche F, Cattarelli M. (1997): Optical recording of the rat piriform cortex activity. *Prog Neurobiol* 52(6):485-510.
- Liu G, Sobering G, Duyn J, Moonen CT. (1993): A functional MRI technique combining principles of echo-shifting with a train of observations (PRESTO). *Magn Reson Med* 30(6):764-768.
- Lotze M, Halsband U. (2006): Motor imagery. *J Physiol Paris* 99(4-6):386-395.
- Lotze M, Scheler G, Tan HR, Braun C, Birbaumer N. (2003): The musician's brain: functional imaging of amateurs and professionals during performance and imagery. *Neuroimage* 20(3):1817-1829.
- Lyman BJ, McDaniel MA. (1990): Memory for odors and odor names : Modalities of elaborating and imagery. *J Exp Psychol: Learn Mem Cogn* 16:656-664.
- Mai JK, Paxinos G, Voss T. 2008. Atlas of the human brain. San Diego (CA): Academic Press.
- Margulis EH, Mlsna LM, Uppunda AK, Parrish TB, Wong PC. (2009): Selective neurophysiologic responses to music in instrumentalists with different listening biographies. *Hum Brain Mapp* 30(1):267-75.
- Milton J, Solodkin A, Hlustik P, Small SL. (2007): The mind of expert motor performance is cool and focused. *Neuroimage* 35(2):804-813.

- Mouly AM, Di Scala G. (2006): Entorhinal cortex stimulation modulates amygdala and piriform cortex responses to olfactory bulb inputs in the rat. *Neuroscience* 137(4):1131-1141.
- Ohnishi T, Matsuda H, Asada T, Aruga M, Hirakata M, Nishikawa M, Katoh A, Imabayashi E. (2001): Functional anatomy of musical perception in musicians. *Cereb Cortex* 11(8):754-60.
- Oldfield RC. (1971): The assessment and analysis of handedness: the Edinburgh inventory. *Neuropsychologia* 9(1):97-113.
- Plailly J, Bensafi M, Pachot-Clouard M, Delon-Martin C, Kareken DA, Rouby C, Segebarth C, Royet JP. (2005): Involvement of right piriform cortex in olfactory familiarity judgments. *Neuroimage* 24(4):1032-41.
- Ross JS, Tkach J, Ruggieri PM, Lieber M, Lapresto E. (2003): The mind's eye: functional MR imaging evaluation of golf motor imagery. *AJNR Am J Neuroradiol* 24(6):1036-44.
- Royet JP, Plailly J. (2004): Lateralization of olfactory processes. *Chem Senses* 29(8):731-45.
- Royet JP, Plailly J, Delon-Martin C, Kareken DA, Segebarth C. (2003): fMRI of emotional responses to odors: influence of hedonic valence and judgment, handedness, and gender. *Neuroimage* 20(2):713-28.
- Savic I, Gulyas B, Larsson M, Roland P. (2000): Olfactory functions are mediated by parallel and hierarchical processing. *Neuron* 26(3):735-45.
- Slotnick SD, Schacter DL. (2004): A sensory signature that distinguishes true from false memories. *Nat Neurosci* 7(6):664-72.
- Sobel N, Prabhakaran V, Desmond JE, Glover GH, Goode RL, Sullivan EV, Gabrieli JD. (1998): Sniffing and smelling: separate subsystems in the human olfactory cortex. *Nature* 392(6673):282-286.

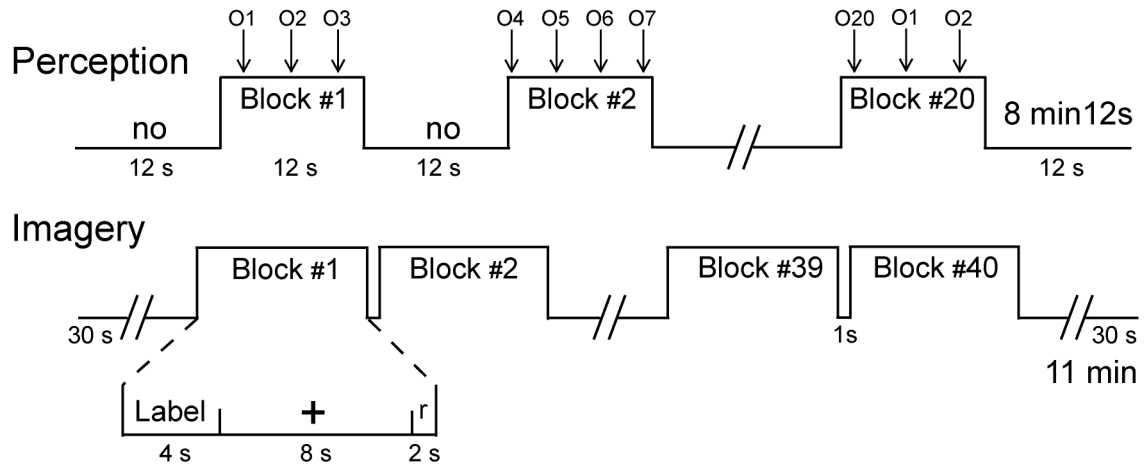
- Sobel N, Prabhakaran V, Zhao Z, Desmond JE, Glover GH, Sullivan EV, Gabrieli JD. (2000): Time course of odorant-induced activation in the human primary olfactory cortex. *J Neurophysiol* 83(1):537-51.
- Svoboda E, Levine B. (2009): The effects of rehearsal on the functional neuroanatomy of episodic autobiographical and semantic remembering: a functional magnetic resonance imaging study. *J Neurosci* 29(10):3073-82.
- van Gelderen P, Ramsey NF, Liu G, Duyn JH, Frank JA, Weinberger DR, Moonen CT. (1995): Three-dimensional functional magnetic resonance imaging of human brain on a clinical 1.5-T scanner. *Proc Natl Acad Sci U S A* 92(15):6906-6910.
- Vigouroux M, Bertrand B, Farget V, Plailly J, Royet JP. (2005): A stimulation method using odors suitable for PET and fMRI studies with recording of physiological and behavioral signals. *J Neurosci Methods* 142(1):35-44.
- Worsley KJ, Marrett S, Neelin P, Vandal AC, Friston KJ, Evans AC. (1996): A unified statistical approach for determining signals of cerebral activation. *Hum Brain Mapp* 4(1):58-73.
- Zald DH, Pardo JV. (1997): Emotion, Olfaction, and the Human Amygdala: Amygdala Activation During Aversive Olfactory Stimulation. *Proc Natl Acad Sci U S A* 94:4119-4124.
- Zatorre RJ, Jones-Gotman M, Evans AC, Meyer E. (1992): Functional localization and lateralization of human olfactory cortex. *Nature* 360(6402):339-40.



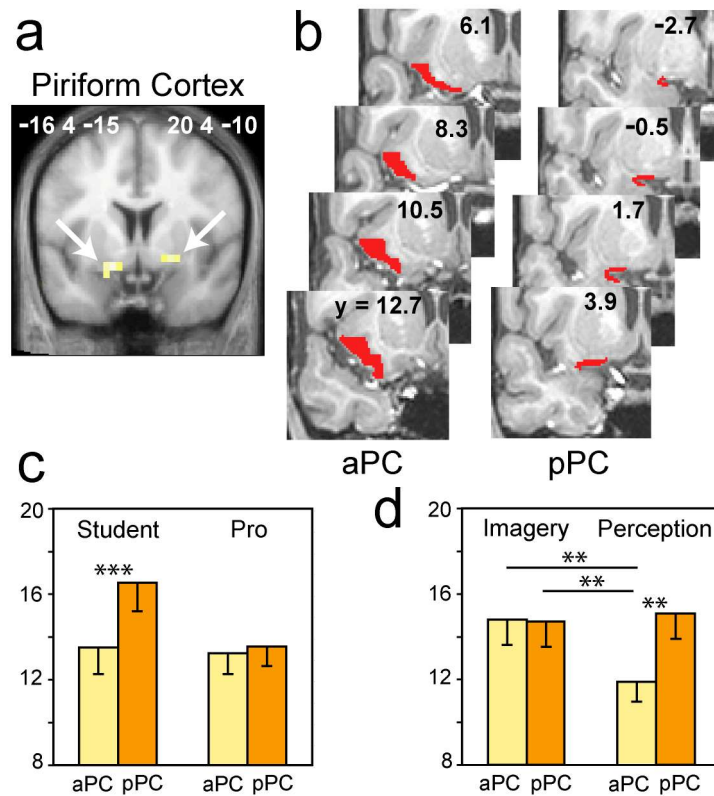
**Table 1. Neural activations common to both imagery and perception conditions in both student and professional perfumers.** L, left; R, right; k, size of the cluster in number of connected voxels; T, Student's *t*-value; x, y, z, MNI coordinates (in mm) of the maximum peak.

Anatomical regions	R/L	<i>k</i>	<i>T</i>	x	y	z
Middle occipital gyrus, inferior part	L	6	7.49	-48	62	-15
Middle occipital gyrus, inferior part	R	16	7.24	44	-76	-10
Posterior Piriform cortex	L	13	7.12	-16	4	-15
Anterior Piriform cortex	L		7.01	-20	8	-20
Amygdala	L		6.25	-12	-4	-20
Cerebellum	R	11	7.11	8	-40	-10
Superior frontopolar gyrus	R	17	7.10	8	64	25
Cerebellum	L	29	7.02	-16	-52	-30
Amygdala	R	9	6.79	12	-4	-15
Posterior Piriform cortex	R		6.74	20	4	-10
Anterior Piriform cortex	R		6.52	24	8	-15
Precuneus	L	9	6.78	-4	-64	60

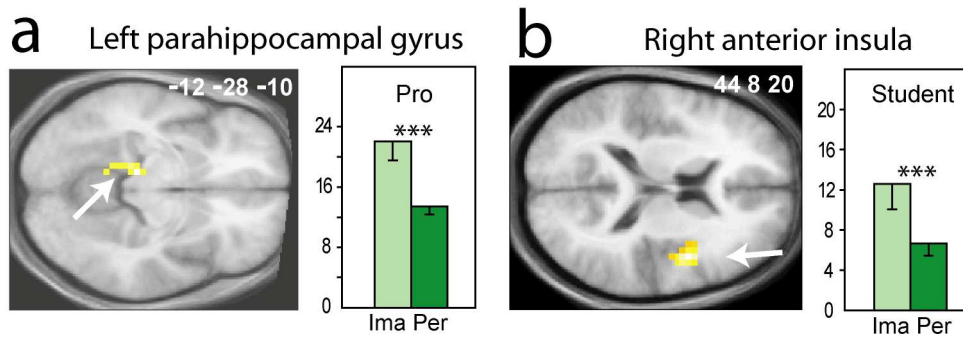
## Figures



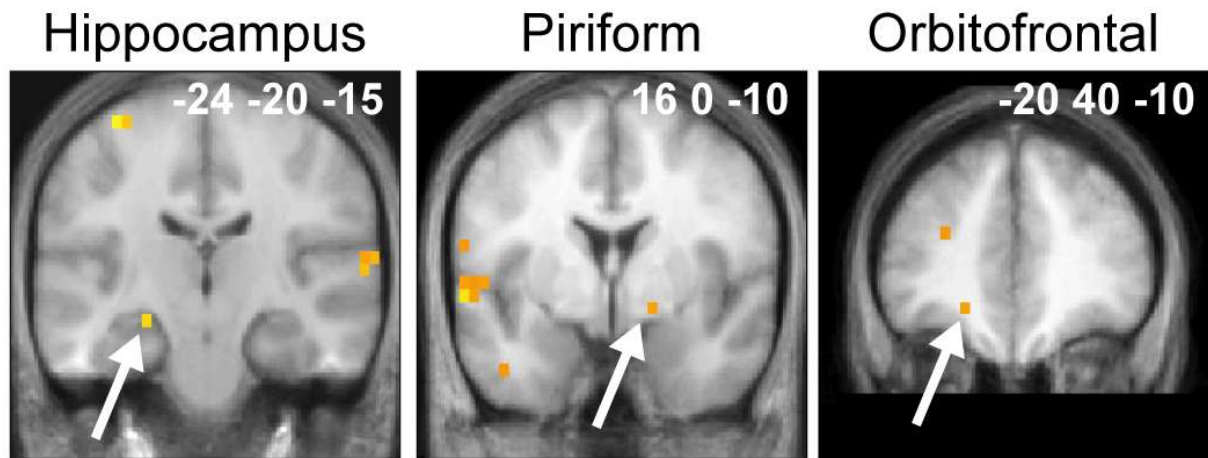
**Figure 1.** Experimental design. During the perception condition, 20 odors (from O1 to O20) were delivered in synchrony with breathing during twenty 12-s blocks (from Block #1 to Block #20) interleaved with 12-s no-odor (no) blocks. During the imagery condition, 20 odor labels were presented twice within forty 15-s blocks (from Block #1 to Block #40). Each block consisted of the presentation of the odor label, then a cross-hair followed by the presentation of the word ‘response’ (r) and a brief rest.



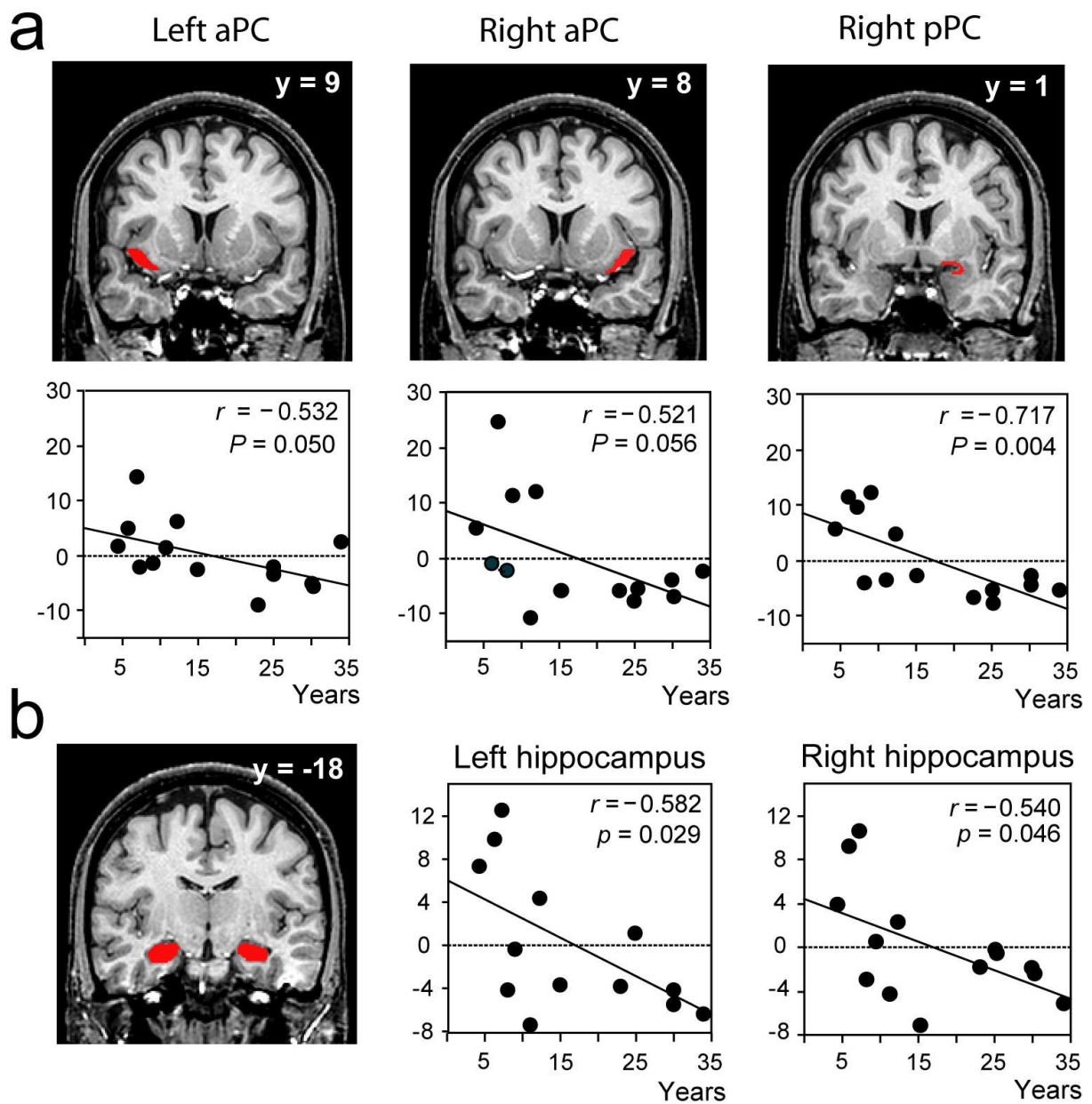
**Figure 2.** Neural responses in the piriform cortex. *(a)* Piriform cortex activation common to both the imagery and perception conditions and detected in both student and professional (Pro) perfumers. The activations are superimposed on a coronal section of the normalized, T1-weighted structural scan averaged among the entire pool of subjects (MNI coordinate system). *(b)* The aPC and pPC VOI mappings of a single subject depicted in 8 serial coronal sections. *(c-d)* Plots of the signal change in the PC VOIs as a function of *(c)* groups and areas or *(d)* tasks and areas. Error bars represent s.e.m. Abbreviations: aPC, anterior piriform cortex; pPC, posterior piriform cortex;  $**P < 0.01$ ,  $***P < 0.001$ .



**Figure 3.** Imagery-specific brain regions differently activated between groups. Significantly higher activation was detected for the imagery condition in (a) the parahippocampal gyrus in professionals (Pro) and (b) the anterior insula in students. The activations are depicted on axial sections of the normalized mean brain image. The bar graphs indicate the levels of activation in odor imagery (Ima) and perception (Per) in students and professionals. Error bars reflect s.e.m. \* $P < 0.05$ , \*\* $P < 0.01$ , \*\*\* $P < 0.001$ .



**Figure 4.** Whole-brain multiple regression analysis. Significant negative correlations between the activation levels and the length of expertise were detected in the left hippocampus, the right PC and the left orbitofrontal cortex in professionals during the imagery condition. The activations are depicted on coronal sections of the normalized, mean T1-weighted brain image.



**Figure 5.** VOI regression analyses. Significant negative correlations between the activation levels and the length of expertise were detected in a) the left and right aPC, and right pPC, and b) the left and right hippocampus. VOIs mappings are represented in red on coronal sections of a normalized, T1-weighted, unsmoothed, structural scan of a professional perfumer. Scatter diagrams represent variability in the activation levels of VOIs during the imagery condition as a function of length of experience. Data reported in scatter diagrams were normalized as a

function of gender to coincide with those of the multiple regression analysis (Fig. 4).

Abbreviations: aPC, anterior piriform cortex; pPC, posterior piriform cortex,  $r$ , correlation coefficient;  $P$ , probability value.